

## DRY WALL PARTITION

### Specifications:

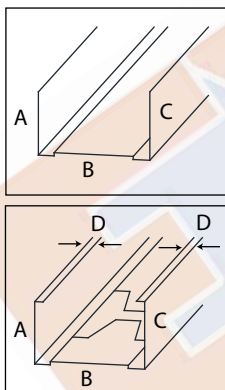
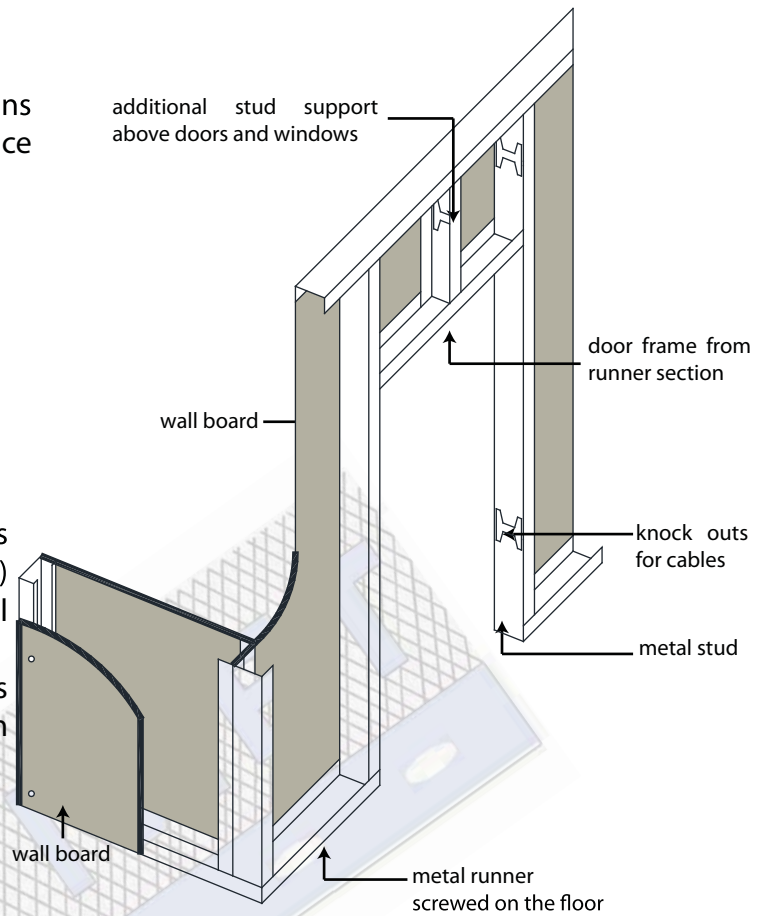
**EXMET** profiles for dry wall partitions system are manufactured in accordance with ASTM-C645.

### Materials:

Pre-galvanized steel:  
 ASTM A 653 G60 and G90  
 BS EN 10327 (revised BS EN 10142)

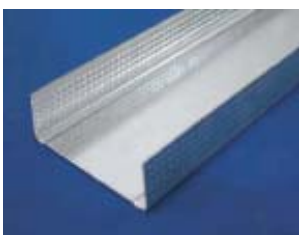
### Installation:

- Dry wall framing system consists of:
- Horizontal ceiling and floor runners properly fixed inside the tracks (runners) with 600mm spacing unless special design requirements is to take place.
  - At corners and door edges, the studs shall not be located more than 50mm away.



Profile & Code	Sizes Available	Approximate Requirement Per 100m <sup>2</sup> (3m high)	Notes
Runner PRN-(size)	50 - 150mm thickness 0.5 - 0.9mm	66	Screwed to floor or ceiling directly
Stud PST - (size)	50 - 150mm thickness 0.5 - 0.9mm	166	with holes for conduits and other services.

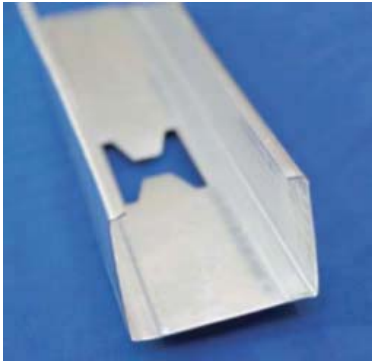
### Runner Dimensions



Type code	Dimensions (mm)			Length (m)	Packing Pcs/bundle
	A	B	C		
PRN-50	29.0	50.0	29.0	3.0*	200
PRN-63	29.0	64.8	29.0	3.0*	200
PRN-75	29.0	75.0	29.0	3.0*	200
PRN-92	29.0	92.0	29.0	3.0*	160
PRN-100	29.0	100.0	29.0	3.0*	140
PRN-125	29.0	125.0	29.0	3.0*	100
PRN-150	29.0	150.0	29.0	3.0*	100

\*Other Lengths can be supplied upon request.


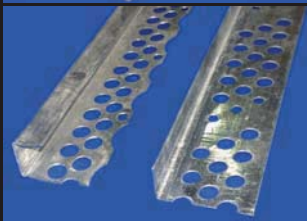
## Stud Dimension:



Type Code	Dimensions (mm)				Length (m)	Pcs/Bundle
	A	B	C	D		
PST-50	34	48.2	34	5	3.0*	200
PST-63	34	63.0	34	5	3.0*	200
PST-75	34	73.2	34	5	3.0*	200
PST-92	34	90.2	34	5	3.0*	160
PST-100	34	98.2	34	5	3.0*	140
PST-125	34	123.2	34	5	3.0*	100
PST-150	34	148.2	34	5	3.0*	100

\*Other lengths can be supplied upon request.

## Accessories of Dry Wall Partitions system:

Components	Dimensions	Approx. Requirements per 100m <sup>2</sup> partition (3m. High)	Application
Gypsum board	Board thickness 9.5, 12.5, 15, 18mm	Varies	Regular, fire or moisture resistant
Drywall Screw	25 mm long 35 mm long 45 mm long	1200 pcs 1200 pcs 1200 pcs	For one layer boarding for 2nd layer of double layer boarding
Framing Screw	11 mm long	Varies	For attaching fixtures backup plates, door frames plaster grounds, etc.. to metal studs
Drywall joint tape	50mm x 54m roll or 50mm x 90m roll	150 mm	For reinforcing tapered edges, joints and internal angles
Corner tape	50mm x 30m roll	Varies	For strengthening external angles
Corner Bead (thin coat bead)	Galvanized Steel 25 x 25, t=0.45mm Length = 2.7/3.0		Used to reinforce external angles that need maximum protection
Edging Bead	Galvanized Steel t=0.45mm Sizes : 10, 12.5, 15.5mm J - trim & L - trim		Used to reinforce the board ends

## SUSPENDED CEILING SYSTEM

### Specifications:

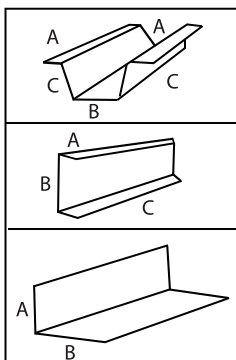
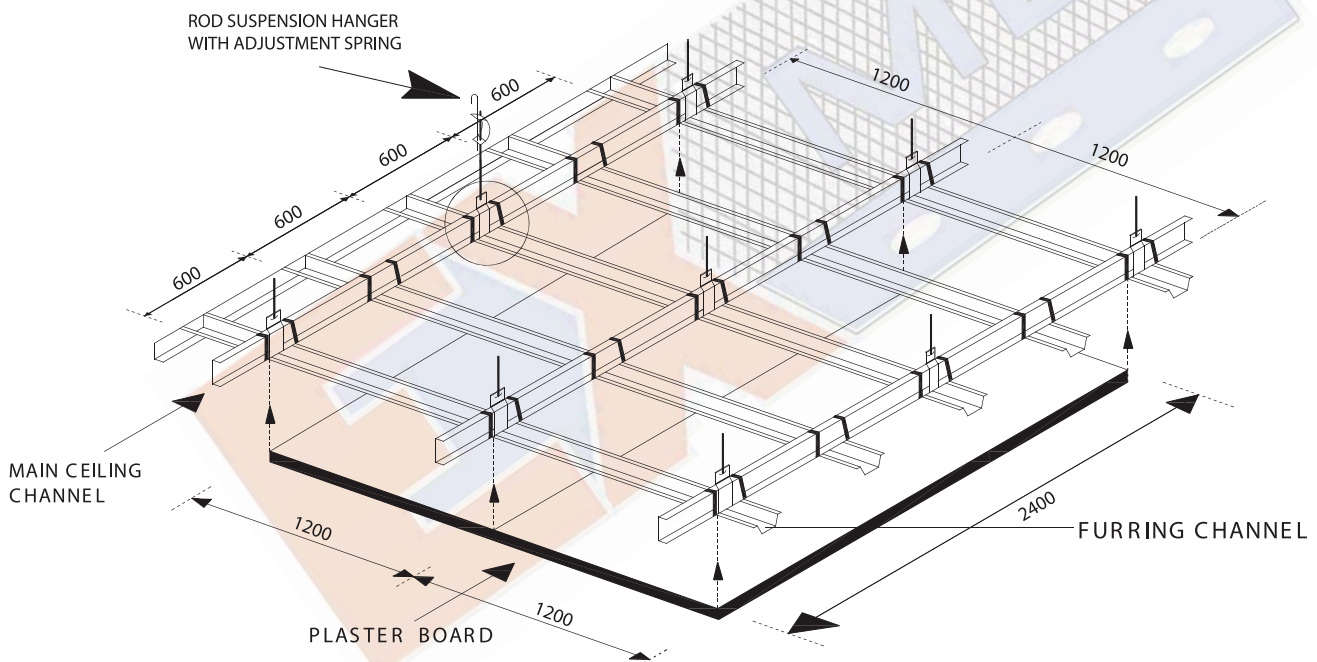
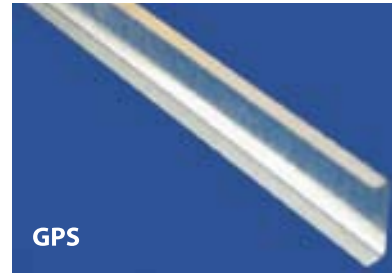
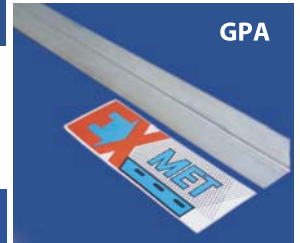
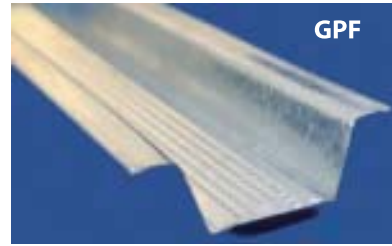
EXMET Profiles for suspended ceiling are manufactured in accordance with ASTM - C 645.

### Materials:

Pre-galvanized steel to BS EN 10327 DX 51D + Z 275 (equivalent to BS EN 10142) and ASTM A 653.

### Installation:

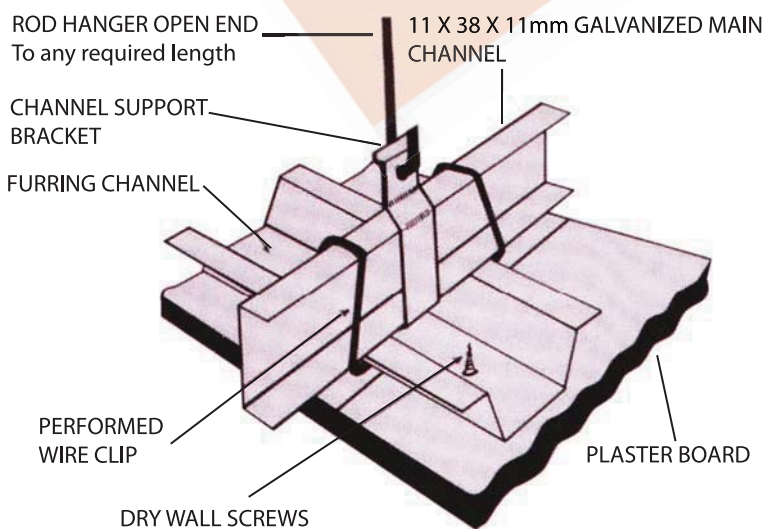
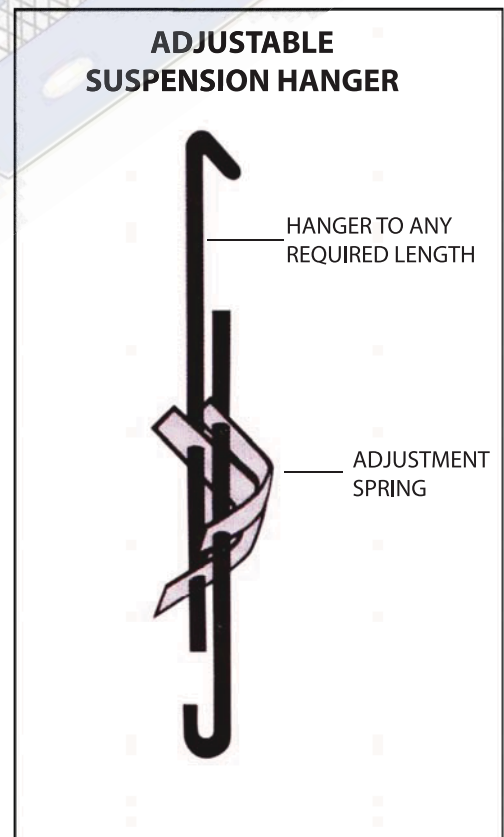
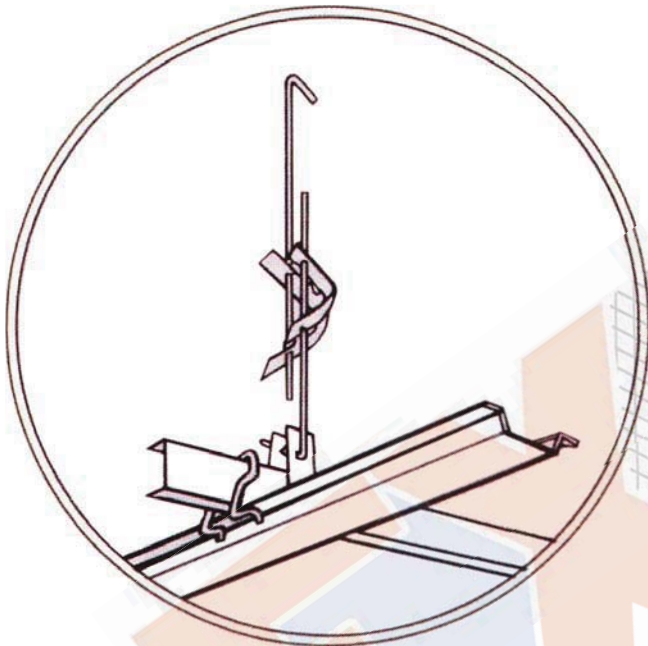
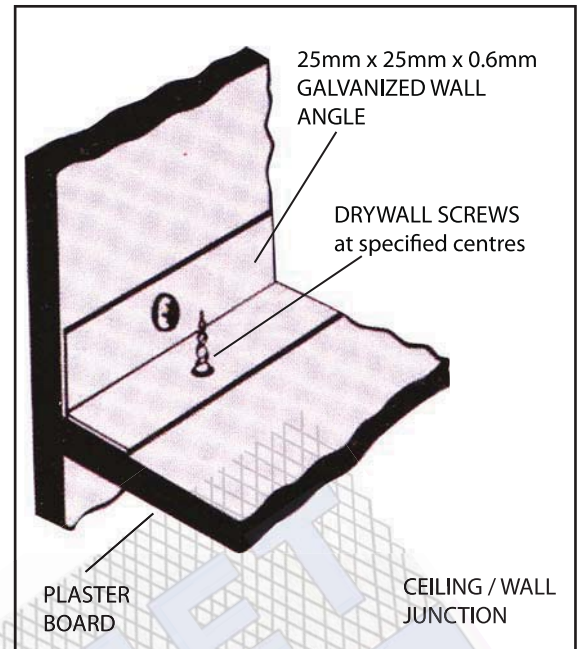
This system is also known as (Furring System) in which the Gypsum boards are fixed by screws to furring channels which are carried by the main ceiling channels through connecting clips. This channel grid system is hanged to the ceiling by special hangers.



Profile & Code	Sizes available	Approximate Requirements Per 100m <sup>2</sup>	Application
Furring Channel GPF	B=35, 50mm thickness 0.50 - 0.9mm	200 LM	Furring support section to which plaster board is screwed.
Main Ceiling Channel GPS	B=25, 38, 50mm thickness 0.6 - 1.0mm	110 LM	Used as main support for furring.
Perimeter Angle GPA	B=25, 30mm thickness 0.4 - 0.6mm	40 LM	Fixed around the perimeter to receive ends of furring channels and the outer edges of plaster board.

## Recommended Installation

Main channels set at 1.2 meter centers with hanger at 1.2 meter centers - starting no more than 350 mm from wall. Furring sections are set at 600 mm or 350 mm centers depending on thickness and number of layers of boards. Perimeter angle is set on all sides of the ceiling giving a base for plasterboard. Details shown in following sketches.



## Ceiling System Codes & Dimensions

Profile	Type Code	Dimensions (mm)	Length (m)	Pcs/Bundle
<p>25 L Perimeter Angle</p>	PPA - 25	25 x 25	3.0	500
	PPA - 30	25 x 30	3.0	500
<p>12 12 22 22 W Furring Channel</p>	PPA - 35	12 x 22 x 35 x 22 x 12	3.0	500
	PFC - 50*	12 x 22 x 50 x 22 x 12	3.0	450
<p>11 H 11 Main Channel</p>	PCC-25*	11 x 25 x 11	3.0	250
	PCC-38	11 x 38 x 11	3.0	200
	PCC-50*	11 x 50 x 11	3.0	200

\*These sizes are available upon order only.

## Accessories of Suspended Ceiling System:

Components	Dimensions	Approx. Requirement per 100m <sup>2</sup> partition 3m High	Application
<p>Gypsum board</p>	Board thickness 9.5, 12.5, 15, 18mm	Varies	Regular, fire-or moisture resistant
<p>Adjustable rod hanger and channel bracket</p>	Bracket 0.6 mm thick Rod dia. 4mm	150 sets	Used as a hanger bracket to hang main ceiling channel to soffit
<p>U bracket with M6 threaded rod, anchor nut and washer</p>	Threaded Rod dimensions: 6 x 1 Im 6 x 2 Im 6 x 3 Im	150 sets	Alternative hanging system: to hang main ceiling channel to soffit
<p>Wire connecting clips</p>	Dia. 34.5 mm	420 sets	Use to connect furring channel to main ceiling channel
<p>Drywall screw</p>	25 mm long 35 mm long 45 mm long	1200 pcs 1200 pcs 1200 pcs	For one layer boarding for 2nd layer of double layer boarding
<p>Drywall joint tape</p>	50 mm x 45 m roll	150 sets	Used for jointing boards
<p>Ready mix joint compound</p>	25 kg/pail	35 kgs	Serves as joint filler and joint finish